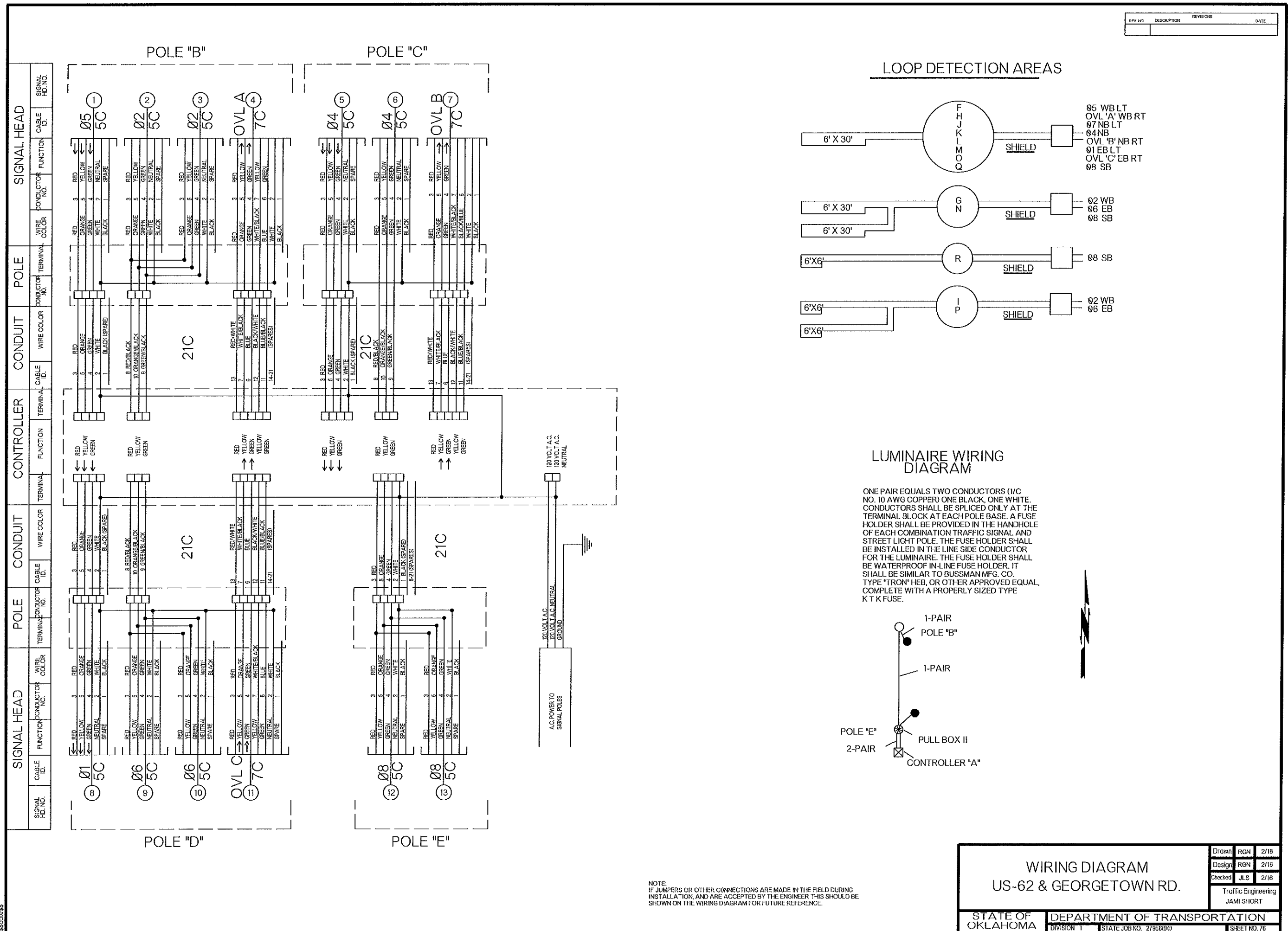
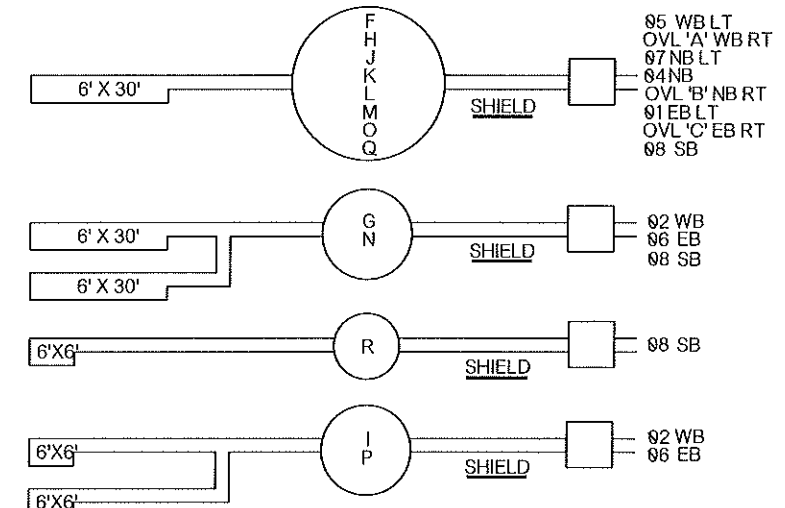


REV. NO.	DESCRIPTION	REVISIONS	DATE

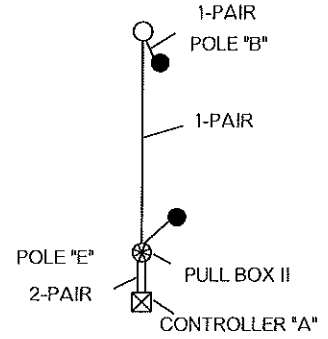


LOOP DETECTION AREAS



LUMINAIRE WIRING DIAGRAM

ONE PAIR EQUALS TWO CONDUCTORS (1/C NO. 10 AWG COPPER) ONE BLACK, ONE WHITE. CONDUCTORS SHALL BE SPLICED ONLY AT THE TERMINAL BLOCK AT EACH POLE BASE. A FUSE HOLDER SHALL BE PROVIDED IN THE HANDHOLE OF EACH COMBINATION TRAFFIC SIGNAL AND STREET LIGHT POLE. THE FUSE HOLDER SHALL BE INSTALLED IN THE LINE SIDE CONDUCTOR FOR THE LUMINAIRE. THE FUSE HOLDER SHALL BE WATERPROOF IN-LINE FUSE HOLDER, IT SHALL BE SIMILAR TO BUSSMAN MFG. CO. TYPE "TRON" HEB, OR OTHER APPROVED EQUAL COMPLETE WITH A PROPERLY SIZED TYPE K T K FUSE.



NOTE:
IF JUMPERS OR OTHER CONNECTIONS ARE MADE IN THE FIELD DURING INSTALLATION, AND ARE ACCEPTED BY THE ENGINEER THIS SHOULD BE SHOWN ON THE WIRING DIAGRAM FOR FUTURE REFERENCE.

<p align="center">WIRING DIAGRAM US-62 & GEORGETOWN RD.</p>		Drawn	RGN	2/16
		Design	RGN	2/16
<p align="center">STATE OF OKLAHOMA DEPARTMENT OF TRANSPORTATION</p>		Checked	JLS	2/16
<p align="center">DIVISION 1 STATE JOB NO. 27958(04)</p>		<p align="center">Traffic Engineering JAMI SHORT</p>		
<p align="center">MUSKOGEE COUNTY US-62 & GEORGETOWN RD.</p>		<p align="right">SHEET NO. 76</p>		

SS04055